



FUNCTIONAL SKILLS MATHS & ENGLISH

LEVEL 1 & 2 EXAMS

WHO WE ARE

Leading training company for 26 years

Intech Centre is an established training provider based in Islington, London, with over 26 years of experience in delivering education, employability and digital skills programmes.

Intech Centre specialises in **Functional Skills English and Maths Level 1 & 2**, helping learners successfully pass Level 1 and Level 2 Functional Skills exams required for university entry, apprenticeships, teacher training, nursing courses and many other professional pathways.

Thousands of learners have used our resources, courses and exam services to achieve nationally recognised qualifications.

[BOOK NOW](#)[LEARN MORE](#)

** The materials in this document are the intellectual property of the relevant awarding organisation and are shared for educational and revision purposes only. Intech Centre does not claim ownership of these materials and all rights remain with the respective awarding body.*

SERVICES

Courses

- Functional Skills Maths
- Functional Skills English

Tutoring

- Functional Skills Maths & English Exam Tutoring

EXAMS

- ➔ Functional Skills **Maths** Level 1 or 2 Exam **in London**
- ➔ Functional Skills **English** Level 1 or 2 Exam **in London**
- ➔ **Online** Functional Skills **Maths** Level 1 or 2 Exam
- ➔ **Online** Functional Skills **English** Level 1 or 2 Exam



www.intechcentre.com



362 Essex Road
Islington N1 3PD



020 7354 5655

BOOK YOUR FUNCTIONAL SKILLS EXAM NOW!

Please check the examination details below before entering your candidate information

Candidate surname

Other names

**Pearson Edexcel
Functional Skills**

Centre Number

Candidate Number

Set 8

Time: 25 minutes

Paper Reference **PMAT2/N08**

Mathematics

Level 2

Section A (Non-Calculator)



You must have:

Pen, HB pencil, eraser, ruler graduated in cm and mm, protractor, pair of compasses. Tracing paper may be used.

Total Marks

My signature confirms that I will not discuss the content of the test with anyone.

Signature: _____

Instructions

- Use **black** ink or ball-point pen.
- **Fill in the boxes** at the top of this page with your name, centre number and candidate number.
- Sign the declaration.
- Answer **all** questions.
- Write your final answers in the boxes provided.
- Answer the questions in the spaces provided – *there may be more space than you need.*
- You **must** show clearly how you get your answers in the spaces provided. Marks will be awarded for your working out.
- Check your working and answers at each stage.
- Diagrams are **not** accurately drawn, unless otherwise indicated.
- **Calculators may not be used.**
- Take the value of π to be 3.14

Information

- The total mark for this section is 16.
- The marks for **each** question are shown in brackets
– *use this as a guide as to how much time to spend on each question.*
- This sign shows where marks will be awarded for showing your checks.

Advice

- Read each question carefully before you start to answer it.
- Check your answers if you have time at the end.

Turn over ►

P68470A

©2021 Pearson Education Ltd.

1/1/1/1/1/1




Pearson

DO NOT WRITE IN THIS AREA

DO NOT WRITE IN THIS AREA

DO NOT WRITE IN THIS AREA

DO NOT WRITE IN THIS AREA

DO NOT WRITE IN THIS AREA

DO NOT WRITE IN THIS AREA

BLANK PAGE



SECTION A

Answer ALL questions. Write your answers in the spaces provided.

- 1 Eve buys lunch on her way to work.
She sees this meal deal.

Meal deal

Buy any sandwich
snack and drink
for £3.99

Eve chooses these items.

Chicken sandwich	£2.85
Fruit snack pot	79p
Coffee	£1.59

Work out how much money Eve will save using the meal deal.
You **must** show your working.

(3)

£

(Total for Question 1 is 3 marks)



P 6 8 4 7 0 A 0 3 0 8

2

Work out $74.88 \div 1.2$
You **must** show your working.

(3)

(Total for Question 2 is 3 marks)

DO NOT WRITE IN THIS AREA

DO NOT WRITE IN THIS AREA

DO NOT WRITE IN THIS AREA

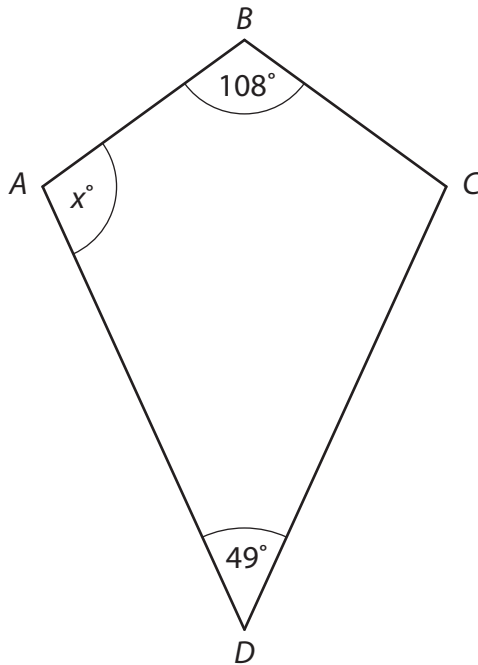
DO NOT WRITE IN THIS AREA

DO NOT WRITE IN THIS AREA

DO NOT WRITE IN THIS AREA



- 3 $ABCD$ is a 4-sided shape.
 BD is a line of symmetry of the shape.



(a) Work out the value of x .

(3)



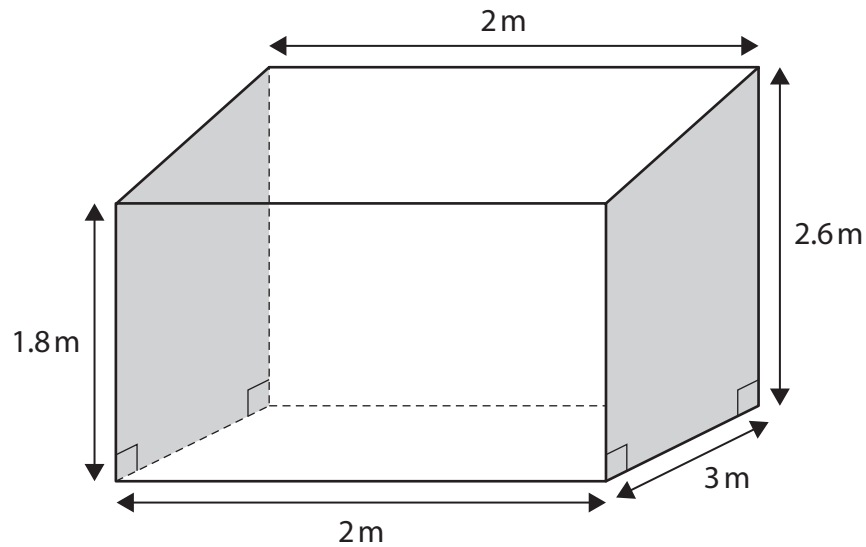
(b) Use estimation to check your answer.

(1)

(Total for Question 3 is 4 marks)



- 4 Max is building a new shed.
He has drawn this sketch.



Each shaded wall of the shed is in the shape of a trapezium.
The other two walls are rectangular.

Max wants to cover the four walls with wood cladding.
He will not use any cladding for the floor or the roof.

Max will buy the cladding in packs.
Each pack of cladding covers 1.1 m^2

The cladding can be cut and joined.

Max knows that the two rectangular walls need 8.8 m^2 of cladding in total.

Work out how many packs of cladding Max needs to cover the four walls.

(6)

DO NOT WRITE IN THIS AREA

DO NOT WRITE IN THIS AREA

DO NOT WRITE IN THIS AREA

DO NOT WRITE IN THIS AREA

DO NOT WRITE IN THIS AREA

DO NOT WRITE IN THIS AREA



DO NOT WRITE IN THIS AREA

DO NOT WRITE IN THIS AREA

DO NOT WRITE IN THIS AREA

DO NOT WRITE IN THIS AREA

DO NOT WRITE IN THIS AREA

DO NOT WRITE IN THIS AREA

Blank area for writing answers to Question 4.

Small rectangular box for marking.

(Total for Question 4 is 6 marks)

TOTAL FOR SECTION A IS 16 MARKS



DO NOT WRITE IN THIS AREA

DO NOT WRITE IN THIS AREA

DO NOT WRITE IN THIS AREA

BLANK PAGE



Please check the examination details below before entering your candidate information

Candidate surname

Other names

**Pearson Edexcel
Functional Skills**

Centre Number

Candidate Number

Set 8

Time: 1 hour 30 minutes

Paper Reference **PMAT2/C08**

Mathematics

Level 2

Section B (Calculator)



You must have:

Pen, calculator, HB pencil, eraser, ruler graduated in cm and mm, protractor, pair of compasses. Tracing paper may be used.

Total Marks

My signature confirms that I will not discuss the content of the test with anyone.

Signature: _____

Instructions

- Use **black** ink or ball-point pen.
- **Fill in the boxes** at the top of this page with your name, centre number and candidate number.
- Sign the declaration.
- Answer **all** questions.
- Write your final answers in the boxes provided.
- Answer the questions in the spaces provided – *there may be more space than you need.*
- You **must** show clearly how you get your answers in the spaces provided. Marks will be awarded for your working out.
- Check your working and answers at each stage.
- Diagrams are **not** accurately drawn, unless otherwise indicated.
- **Calculators may be used.**
- If your calculator does not have a π button take the value of π to be 3.14

Information

- The total mark for this section is 48.
- The total mark for this paper is 64.
- The marks for **each** question are shown in brackets
– *use this as a guide as to how much time to spend on each question.*
- This sign shows where marks will be awarded for showing your checks.

Advice

- Read each question carefully before you start to answer it.
- Check your answers if you have time at the end.

Turn over ►

P68471A

©2021 Pearson Education Ltd.

1/1/1/1/1



P 6 8 4 7 1 A 0 1 2 0



Pearson

SECTION B

Answer ALL questions. Write your answers in the spaces provided.

- 1 Mandy spins a fair spinner twice.

The colours on the spinner are red, blue, green, orange and pink.
The table shows all the possible outcomes.

		Second spin				
		Red	Blue	Green	Orange	Pink
First spin	Red	R, R	R, B	R, G	R, O	R, P
	Blue	B, R	B, B	B, G	B, O	B, P
	Green	G, R	G, B	G, G	G, O	G, P
	Orange	O, R	O, B	O, G	O, O	O, P
	Pink	P, R	P, B	P, G	P, O	P, P

- (a) What is the probability of getting the same colour on both spins?

(1)

- (b) What is the probability of getting at least one blue in the two spins?

(2)

(Total for Question 1 is 3 marks)



- 2 Habiba wants to make pastry by mixing butter and flour.
She needs to mix the butter and the flour in the ratio 4 : 9

Habiba wants to make 650 grams of pastry.
She has 425 grams of flour.

Does Habiba have enough flour to make 650 grams of pastry?
Show why you think this.

(3)

(Total for Question 2 is 3 marks)



- 3 Habiba also wants to make cupcakes.
She has this list of ingredients.

Cupcakes makes 12	
2 cups of flour	1 egg
3 tbsp butter	10.5 fl oz milk
$\frac{3}{4}$ cup sugar	3 apples
pinch of cinnamon	

Habiba wants to make 30 cupcakes.

1 fl oz = 28.413 ml

How much milk does Habiba need to make 30 cupcakes?
Give your answer to the nearest ml.

(4)

ml

(Total for Question 3 is 4 marks)

DO NOT WRITE IN THIS AREA

DO NOT WRITE IN THIS AREA

DO NOT WRITE IN THIS AREA

DO NOT WRITE IN THIS AREA

DO NOT WRITE IN THIS AREA

DO NOT WRITE IN THIS AREA



- 4 Callum is a plumber.
He spends money on eight different adverts.

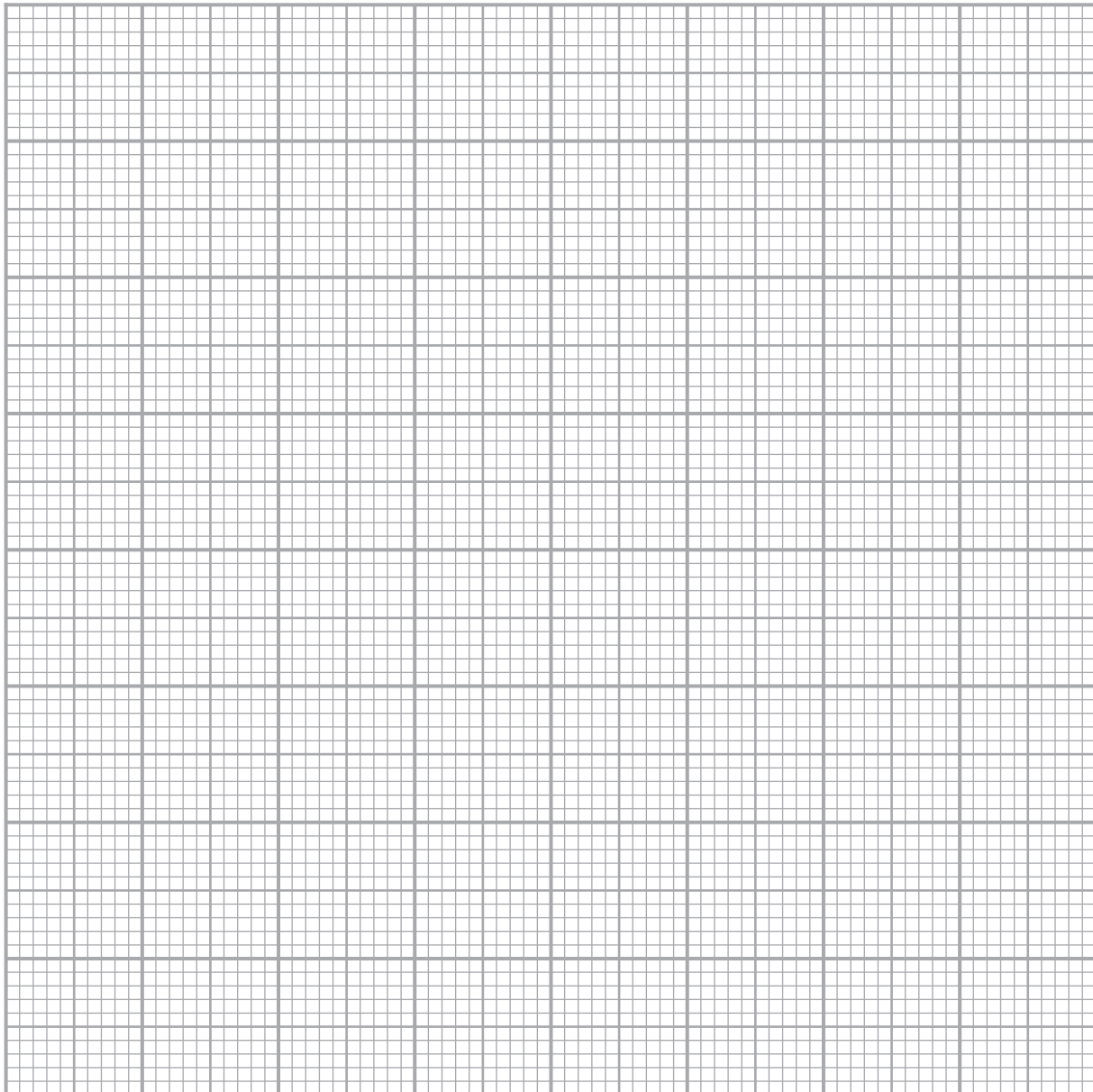
Callum has this information about the money he spent on each advert and the number of new customers from seeing that advert.

Money spent (£)	100	175	80	250	150	325	125	290
Number of new customers	7	12	4	16	8	23	9	18

Callum wants to draw a diagram to see if there is a relationship between the money he spent on each advert and the number of new customers from seeing that advert.

Draw a suitable diagram for Callum.

(3)



(Total for Question 4 is 3 marks)



5 Misha rows in a team of 8 people.

She wants to compare the mean BMI of the people in the rowing team with the mean BMI of women in the UK.

Misha uses this formula to calculate her BMI.

$$\text{BMI} = \frac{W}{H^2}$$

W is weight (kg)
 H is height (metres)

Misha has a weight of 73.3 kg and a height of 67 inches.

1 inch = 2.54 cm

The table shows some information about the BMIs of the people in the rowing team.

Louise	Katia	Leila	Lisa	Gemma	Mel	Steph	Misha
24.8	27.1	25.7	28.3	26.4	25.2	27.6

The mean BMI of women in the UK is 26.9

Compare the mean BMI of the people in the rowing team with the mean BMI of women in the UK.

(5)

DO NOT WRITE IN THIS AREA

DO NOT WRITE IN THIS AREA

DO NOT WRITE IN THIS AREA

DO NOT WRITE IN THIS AREA

DO NOT WRITE IN THIS AREA

DO NOT WRITE IN THIS AREA



DO NOT WRITE IN THIS AREA

DO NOT WRITE IN THIS AREA

DO NOT WRITE IN THIS AREA

DO NOT WRITE IN THIS AREA

DO NOT WRITE IN THIS AREA

DO NOT WRITE IN THIS AREA

Blank area for writing answers.

(Total for Question 5 is 5 marks)



P 6 8 4 7 1 A 0 7 2 0

6

(a) Write three million, six hundred and seventy five thousand in figures.

(1)

(b) Write 760 grams as a fraction of 1 kilogram.
Give your answer in its simplest form.

(2)

—

(Total for Question 6 is 3 marks)

DO NOT WRITE IN THIS AREA

DO NOT WRITE IN THIS AREA

DO NOT WRITE IN THIS AREA

DO NOT WRITE IN THIS AREA

DO NOT WRITE IN THIS AREA

DO NOT WRITE IN THIS AREA



7 Nyam looks at the screen time report on his phone.

This week his average screen time per day is 28% greater than his average screen time per day last week.

This week Nyam's average screen time per day is 3 hours and 44 minutes.

Work out Nyam's average screen time per day for last week.

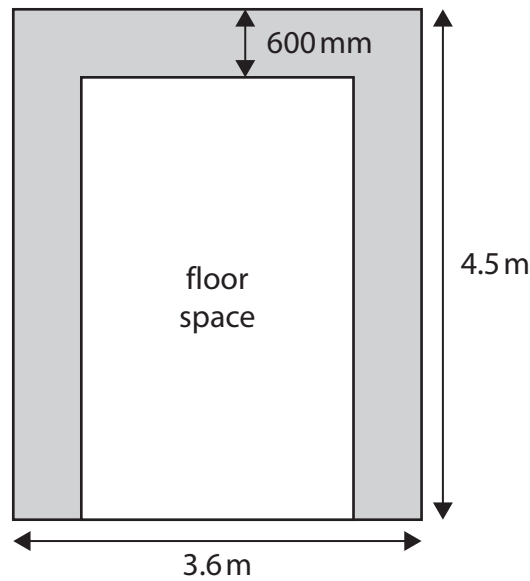
(4)

(Total for Question 7 is 4 marks)



- 8 Frank wants to fit underfloor heating in his kitchen. The kitchen is in the shape of a rectangle.

He has this sketch.



The shaded space shows the part of the floor covered by cabinet bases. Each cabinet has a depth of 600 mm.

Frank will cover part of the floor space with heating cable.

Frank needs to leave a gap of 100 mm between the base of the cabinets and the part of the floor space he will cover.

He needs to buy a cable pack.

The table shows information about the different sizes of heating cable packs and the maximum floor area each pack can cover.

Cable pack size	Maximum floor area (m ²)	Cost (£)
small	4.2	109.99
medium	6.0	164.99
large	8.4	179.99
extra large	10.6	199.99

Frank wants to spend as little as possible.

DO NOT WRITE IN THIS AREA

DO NOT WRITE IN THIS AREA

DO NOT WRITE IN THIS AREA

DO NOT WRITE IN THIS AREA

DO NOT WRITE IN THIS AREA

DO NOT WRITE IN THIS AREA



- (a) Work out the cost of the cable pack Frank needs to buy.
You **must** show your working.

(5)

£



- (b) Use a reverse calculation to show a check of your answer.

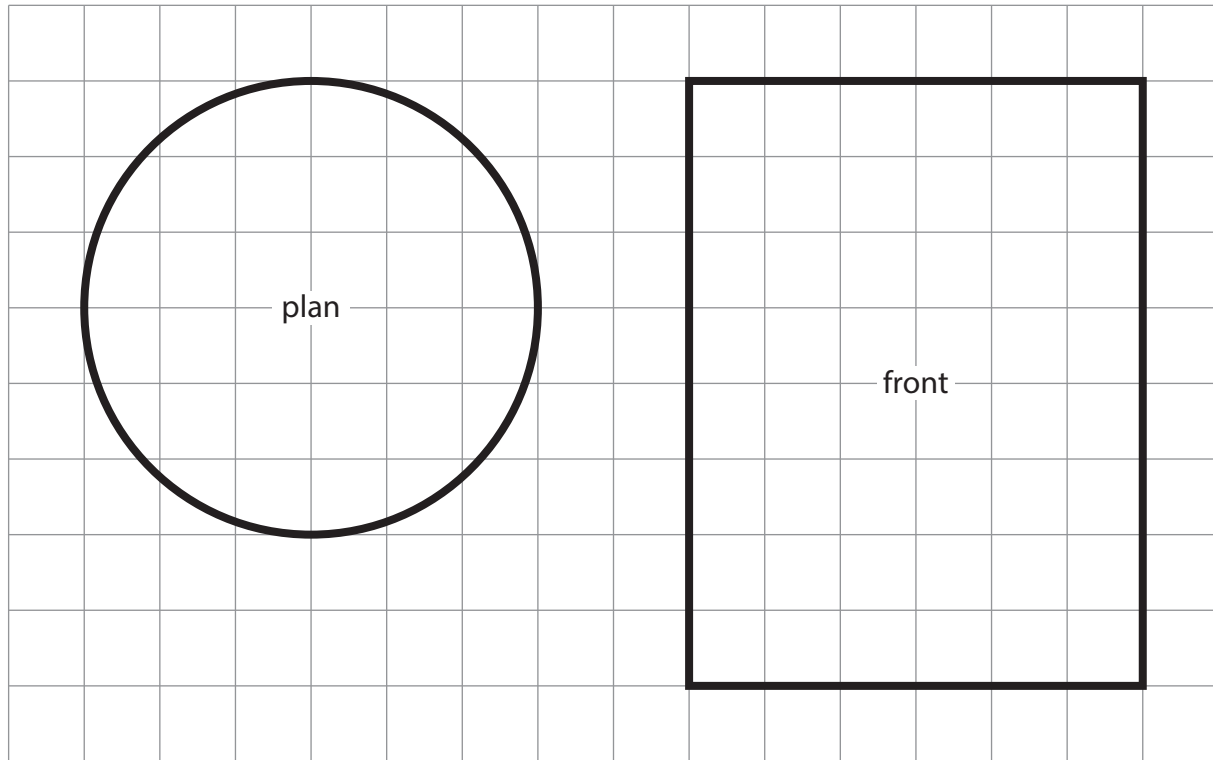
(1)

(Total for Question 8 is 6 marks)



P 6 8 4 7 1 A 0 1 1 2 0

- 9 Sammi has designed a sweet tin in the shape of a cylinder.
The plan and the front elevation of the tin are shown on the centimetre grid below.



Find the volume of the sweet tin.

(3)

cm³

(Total for Question 9 is 3 marks)



10

(a) Write $\frac{15}{7}$ as a mixed number.

(1)

Here is a list of numbers.

-3 6 -5 4 4 0

(b) Find the median.

(2)

(Total for Question 10 is 3 marks)



11

(a) Write 28% as a decimal.

(1)

Andrew pays 38.90 euros for a meal in Spain using his British bank card.

The British bank charges a fee for changing currency.
The fee is 2.75% of the amount he pays for the meal.

£1 = 1.127 euros

(b) Work out the total amount Andrew pays for the meal and the fee.
Give your answer in pounds.

(4)

DO NOT WRITE IN THIS AREA

DO NOT WRITE IN THIS AREA

DO NOT WRITE IN THIS AREA

DO NOT WRITE IN THIS AREA

DO NOT WRITE IN THIS AREA

DO NOT WRITE IN THIS AREA



DO NOT WRITE IN THIS AREA

DO NOT WRITE IN THIS AREA

DO NOT WRITE IN THIS AREA

DO NOT WRITE IN THIS AREA

DO NOT WRITE IN THIS AREA

DO NOT WRITE IN THIS AREA

£

(Total for Question 11 is 5 marks)



P 6 8 4 7 1 A 0 1 5 2 0

12 Bilal works for a supermarket.
His usual pay is £8.70 per hour.

Bilal will work for $7\frac{1}{2}$ hours this Sunday.

The supermarket will pay Bilal time and a half for working on a Sunday.

Bilal thinks the supermarket will pay him more than £100 for working this Sunday.

(a) Is he correct?
Show why you think this.

(3)

DO NOT WRITE IN THIS AREA

DO NOT WRITE IN THIS AREA

DO NOT WRITE IN THIS AREA

DO NOT WRITE IN THIS AREA

DO NOT WRITE IN THIS AREA

DO NOT WRITE IN THIS AREA



Mina works in a different shop.

The table shows some information about the wages for Bilal and the wages for Mina for the last six weeks.

		1	2	3	4	5	6
Wages (£)	Bilal	216.43	283.94	192.87	221.02	205.48	186.32
	Mina	296.56	308.71	188.96	259.32	126.40	283.21

Bilal says,

“My wages were more consistent than Mina’s wages for the last six weeks.”

- (b) Were Bilal’s wages more consistent than Mina’s wages?
Give a reason for your answer.

(3)

(Total for Question 12 is 6 marks)

TOTAL FOR SECTION B IS 48 MARKS
TOTAL FOR PAPER IS 64 MARKS



DO NOT WRITE IN THIS AREA

DO NOT WRITE IN THIS AREA

DO NOT WRITE IN THIS AREA

DO NOT WRITE IN THIS AREA

DO NOT WRITE IN THIS AREA

DO NOT WRITE IN THIS AREA

BLANK PAGE



DO NOT WRITE IN THIS AREA

DO NOT WRITE IN THIS AREA

DO NOT WRITE IN THIS AREA

DO NOT WRITE IN THIS AREA

DO NOT WRITE IN THIS AREA

DO NOT WRITE IN THIS AREA

BLANK PAGE



P 6 8 4 7 1 A 0 1 9 2 0

DO NOT WRITE IN THIS AREA

DO NOT WRITE IN THIS AREA

DO NOT WRITE IN THIS AREA

BLANK PAGE





Book Your Functional Skills Exam Now!

Intech Centre is a leading training, careers and examination centre based in Islington, London, delivering Functional Skills Maths and English courses and exams for over 26 years.



Book Now!



Book Your Exams & Courses

Qualification	Private Course	Online Exam	Exam in London
Functional Skills Maths Level 1 & 2	Enrol on Course	Book Online Exam	Book London Exam
Functional Skills English Level 1 & 2	Enrol on Course	Book Online Exam	Book London Exam

Why Intech Centre?

- Over **26 years' experience** as a UK training and exam centre in London.
- **City & Guilds Functional Skills Maths** and **English exams**, Ofqual regulated and nationally recognised.
- Flexible **online learning** with 24/7 access plus online or centre-based exam options.
- Ideal if you still need GCSE Maths or English equivalent for university entry, teacher training, apprenticeships or employment.

CALL US FOR MORE INFORMATION:



020 7354 5655



www.intechcentre.com



info@intechcentre.com