



# FUNCTIONAL SKILLS MATHS & ENGLISH

## LEVEL 1 & 2 EXAMS

### WHO WE ARE

## Leading training company for 26 years

Intech Centre is an established training provider based in Islington, London, with over 26 years of experience in delivering education, employability and digital skills programmes.

Intech Centre specialises in **Functional Skills English and Maths Level 1 & 2**, helping learners successfully pass Level 1 and Level 2 Functional Skills exams required for university entry, apprenticeships, teacher training, nursing courses and many other professional pathways.

Thousands of learners have used our resources, courses and exam services to achieve nationally recognised qualifications.

[BOOK NOW](#)[LEARN MORE](#)

*\* The materials in this document are the intellectual property of the relevant awarding organisation and are shared for educational and revision purposes only. Intech Centre does not claim ownership of these materials and all rights remain with the respective awarding body.*

### SERVICES

## Courses

- Functional Skills Maths
- Functional Skills English

## Tutoring

- Functional Skills Maths & English Exam Tutoring

## EXAMS

- ➔ Functional Skills **Maths** Level 1 or 2 Exam **in London**
- ➔ Functional Skills **English** Level 1 or 2 Exam **in London**
- ➔ **Online** Functional Skills **Maths** Level 1 or 2 Exam
- ➔ **Online** Functional Skills **English** Level 1 or 2 Exam



[www.intechcentre.com](http://www.intechcentre.com)



362 Essex Road  
Islington N1 3PD



020 7354 5655

**BOOK YOUR FUNCTIONAL SKILLS EXAM NOW!**

# TQUK Functional Skills Qualification in Maths at Level 2

## Examination Past Paper 6

Please complete the details below using black or blue ink. Use **BLOCK CAPITALS**.

Learner Name: \_\_\_\_\_

Learner Number: \_\_\_\_\_

Date: \_\_\_\_\_

Centre Name: \_\_\_\_\_

### Instructions:

- read each question **carefully**
- answer **all** questions
- write your answers **clearly** in the spaces provided
- **check** your answers.

### Information:

- this examination has **two** sections. These are clearly labelled
- you are **not allowed** to use a calculator for Section A
- you **are allowed** to use a basic calculator for Section B
- the **maximum** mark for this examination is 60
- the marks available for each question are shown in **bold** beneath each question.

### Items:

- you **will need** a pen with black or blue ink, a pencil, a ruler and an eraser (for diagrams, graphs and charts only)
- you **will need** a basic calculator for Section B only
- you **will need** a protractor and a compass
- you **will not** need any other stationery or equipment.

### Time allowed:

**30 minutes** for Section A (Non-calculator)

**90 minutes** for Section B (Calculator)

**Do not open this examination paper until you are told to do so.**

### For examiner use only

	<b>Marks available</b>	<b>Marks awarded</b>	<b>Second marks</b>
Section A	15		
Section B	45		
Total marks	60		

**This page is intentionally left blank.**

Past Paper

## Section A: Non-calculator

There are **15 marks** available in this section.  
You must **not** use a calculator in this section.  
You will have **30 minutes** to complete this section.



1. Work out  $2.109 + 0.98$

--

Answer	
--------	--

[1]

2. Work out the difference between  $-4600$  and  $8000$

--

Answer	
--------	--

[1]

Questions continue on the following page

3. Round 7.5385 to one decimal place.

Use your rounded value to **estimate** the answer to  $30\,000 \times 7.5385$

**Show your working.**

--

Answer	
--------	--

[2]

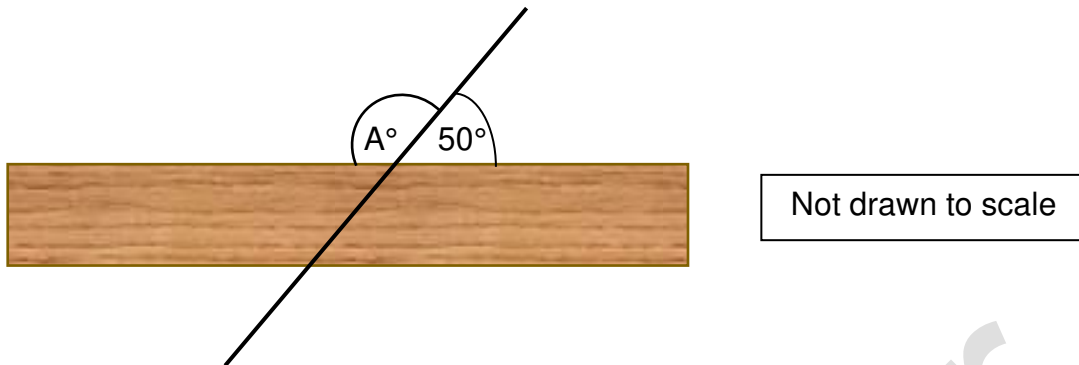
4. Work out  $7^2 (40 \div 4)$

--

Answer	
--------	--

[2]

5. Ashley needs to cut a piece of wood as shown:



Ashley thinks angle A will be  $140^\circ$

Is Ashley correct?

**Show how you decide.**

<b>Answer</b>	

[2]

Questions continue on the following page

6. There are 300 sweets in a box.

There are:

- 52 chocolate sweets
- 150 strawberry sweets
- 98 lemon sweets.

One sweet is chosen at random.

What is the probability that the sweet chosen is a chocolate sweet?

Give your answer as a fraction in its simplest form.

--

<b>Answer</b>	
---------------	--

[2]

7. A steel block has:

- mass = 7850 grams (g)
- volume = 1000 cm<sup>3</sup>

Work out the density of the concrete block.

--

<b>Answer</b>	
---------------	--

[2]

8. Enkai needs 2.5 litres (l) of water.  
The jug Enkai uses measures in pints (pt).  
Enkai measures out 4.5 pints of water.  
Does Enkai have enough water?

**Show how you decide.**

*Use 1 litre = 1.759 pints*

Past paper
------------

<b>Answer</b>	
---------------	--

[3]

**End of Section A.**

**Section B begins on Page 7.**

Past Paper

## Section B: Calculator

There are **45 marks** available in this section.  
 You **can** use a basic calculator in this section.  
 You will have **90 minutes** to complete this section.



1. Write down the mode of these numbers:

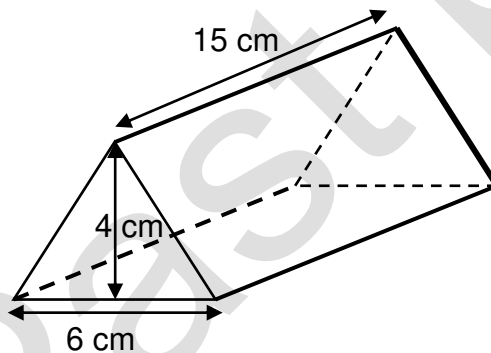
8.375    8.400    8.000    8.750    8.500    8.375    8.725

--	--

Answer

[1]

2. The diagram shows a triangular prism:



Not drawn to scale

Work out the area of the base of the prism.

--	--

Answer

cm<sup>2</sup>

[1]

Questions continue on the following page

3. Nilam wants to buy a new laptop.

Nilam finds these offers for the same laptop on different websites:

<b>Website A</b>
$\frac{3}{8}$ off

<b>Website B</b>
34% off

Which website gives the bigger discount?

**Show how you decide.**

--

<b>Answer</b>	
---------------	--

[2]

4. Use this formula to convert 15 degrees Celsius ( $^{\circ}\text{C}$ ) into degrees Fahrenheit ( $^{\circ}\text{F}$ ):

$$F = \frac{9C}{5} + 32$$

--

Answer
--------

$^{\circ}\text{F}$
--------------------

[2]

5. Charu normally sells cakes for £4.00 each.  
Charu raises the selling price of each cake to £12.00  
Calculate the percentage change.

--

Answer
--------

%
---

[2]

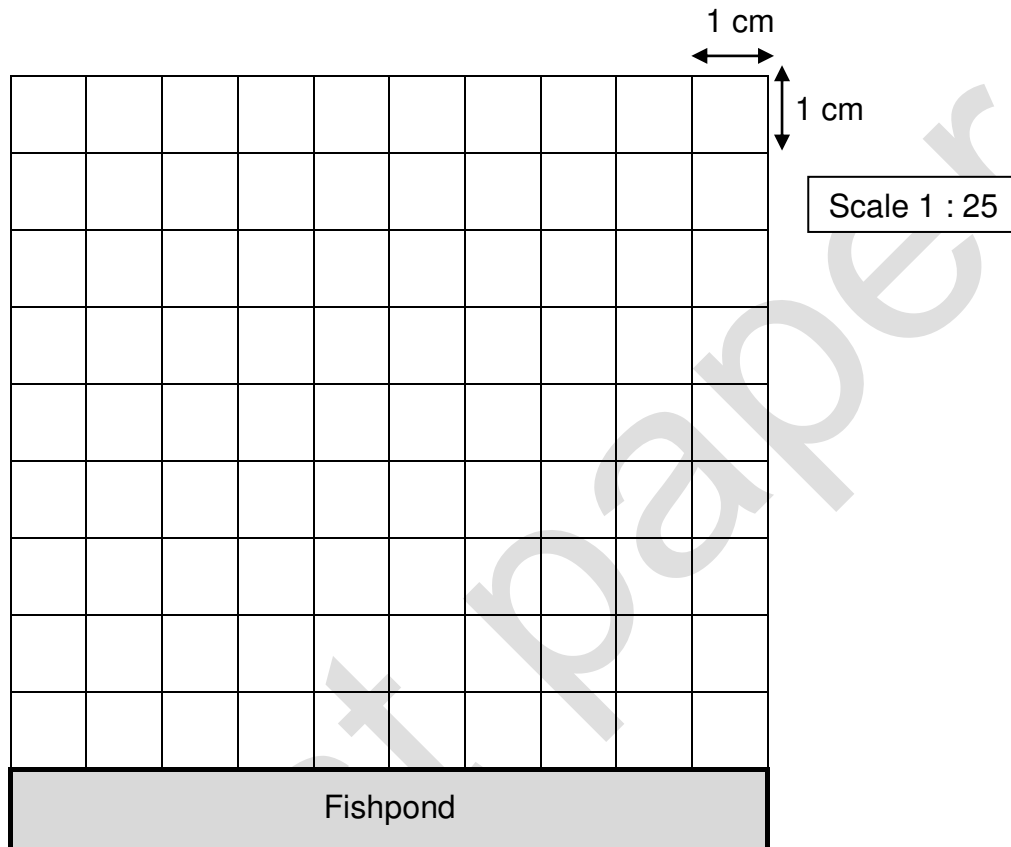
Questions continue on the following page

6. Sasa wants to put a picnic table in a garden.

The table needs to be:

- in the shape of a square with side length 0.5 metres (m)
- 1 metre away from the fishpond.

Draw a possible position for the table on the scale diagram below:



[2]

7. Frankie needs to order 400 cupcakes for a party.

Frankie needs to order lemon, strawberry and chocolate cupcakes in the ratio:

9 : 4 : 3

Frankie thinks there will be 100 more lemon cupcakes than strawberry cupcakes.

Is Frankie correct?

**Show how you decide.**

Past Paper	
<b>Answer</b>	

**[3]**

**Questions continue on the following page**

8. Drew is a manager of a company and needs to set the budget for next year.

This year there was a budget of £980 000

Drew increases this budget by 4%.

Drew thinks the new budget will be less than £1 020 000

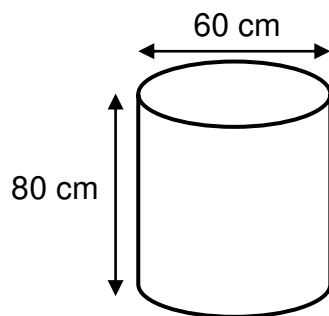
Is Drew correct?

**Show how you decide.**

Past paper	
<b>Answer</b>	

**[3]**

9. Dayo needs to paint the outside of this cylinder, including the top and the bottom:



Not drawn to scale

Dayo thinks the total area to be painted is less than 20 000 cm<sup>2</sup>

Is Dayo correct?

**Show how you decide.**

*Use  $\pi = 3.14$*

--

Answer

[3]

Questions continue on the following page

- 10.** On Monday, Arya got a new TV package.  
On Tuesday, Kai got the same TV package but got a 28% discount.  
Kai pays £21.60 per month after receiving the discount.  
How much more does Arya pay for the package?

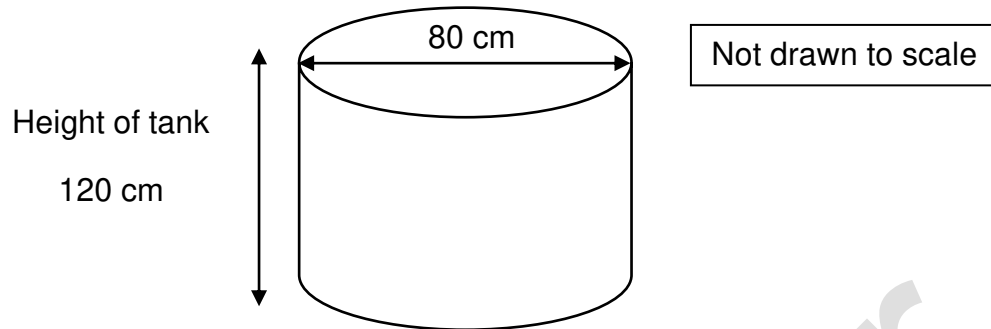
--

<b>Answer</b>
---------------

**[3]**

11. Cam is setting up a new fish tank.

The fish tank is in the shape of a cylinder:



Cam uses this formula to work out how many pounds (lbs) of gravel to add to the tank:

$$\text{Amount of gravel in pounds (lbs)} = \text{volume of tank divided by 4546}$$

How much gravel does Cam need to add to the tank?

Use  $\pi = 3.14$

Answer

lbs

[4]

Questions continue on the following page

**12.** Quinn wants to buy a new computer for £3000

Quinn paid £1500 into a new savings account two years ago.

The savings account paid 2% compound interest per year.

Quinn uses all of the money that is now in the savings account as a deposit towards the computer.

The balance will be paid in equal monthly instalments of £119.95

How long will it take Quinn to pay for the computer?

**Show your working.**

Past paper	
------------	--

<b>Answer</b>	
---------------	--

**[4]**

13. Jude grows sunflowers in two different fields.

These are the heights of each flower in Field A:

Field A					
134 cm	186 cm	120 cm	200 cm	118 cm	166 cm

This is a summary of the heights of each flower in Field B:

Field B	
Mean height	162 cm
Range	70 cm

Jude claims:

- a) 'on average, sunflowers grew taller in Field A.'
- b) 'the heights are more consistent in Field A.'

Are both of Jude's claims correct?

Give reasons for your answers.

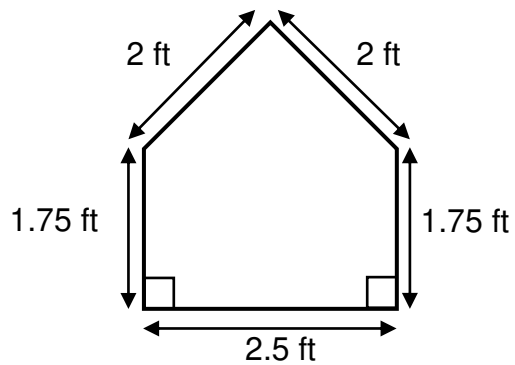
**Show your working.**

Reason - claim a)
Reason - claim b)

[4]

Questions continue on the following page

14. Zuri wants to put a wooden border around the flower bed shown:



Not drawn to scale

Zuri measured the dimensions of the garden in feet (ft).

The shop sells wood in metres (m).

Zuri will buy 12% more wood than needed to allow for mistakes.

How many metres of wood does Zuri need to buy in total?

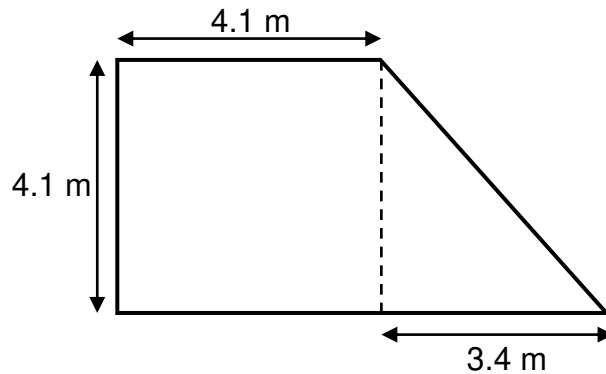
*Use 1 foot = 0.305 metres*

Answer

m

[5]

15. Jordan wants to tile this floor:



Not drawn to scale

Jordan finds these prices:

Price per square metre (m <sup>2</sup> )						
£80.50	£75.99	£50.99	£60.50	£100.00	£45.75	£100.00

Jordan buys the tiles with the median price.

How much will Jordan pay in total?

Give your answer to the nearest pound (£).

**Show your working.**

**Answer box is on the following page**

--

<b>Answer</b>	<b>£</b>
---------------	----------

**[6]**

**This is the end of the assessment.**

Past paper



# Book Your Functional Skills Exam Now!

Intech Centre is a leading training, careers and examination centre based in Islington, London, delivering Functional Skills Maths and English courses and exams for over 26 years.



**Book Now!**



## Book Your Exams & Courses

Qualification	Private Course	Online Exam	Exam in London
Functional Skills Maths Level 1 & 2	<a href="#">Enrol on Course</a>	<a href="#">Book Online Exam</a>	<a href="#">Book London Exam</a>
Functional Skills English Level 1 & 2	<a href="#">Enrol on Course</a>	<a href="#">Book Online Exam</a>	<a href="#">Book London Exam</a>

## Why Intech Centre?

- Over **26 years' experience** as a UK training and exam centre in London.
- **City & Guilds Functional Skills Maths and English exams**, Ofqual regulated and nationally recognised.
- Flexible **online learning** with 24/7 access plus online or centre-based exam options.
- Ideal if you still need GCSE Maths or English equivalent for university entry, teacher training, apprenticeships or employment.

CALL US FOR MORE INFORMATION:



**020 7354 5655**



**www.intechcentre.com**



**info@intechcentre.com**