



# FUNCTIONAL SKILLS MATHS & ENGLISH

## LEVEL 1 & 2 EXAMS

### WHO WE ARE

## Leading training company for 26 years

Intech Centre is an established training provider based in Islington, London, with over 26 years of experience in delivering education, employability and digital skills programmes.

Intech Centre specialises in **Functional Skills English and Maths Level 1 & 2**, helping learners successfully pass Level 1 and Level 2 Functional Skills exams required for university entry, apprenticeships, teacher training, nursing courses and many other professional pathways.

Thousands of learners have used our resources, courses and exam services to achieve nationally recognised qualifications.

[BOOK NOW](#)[LEARN MORE](#)

*\* The materials in this document are the intellectual property of the relevant awarding organisation and are shared for educational and revision purposes only. Intech Centre does not claim ownership of these materials and all rights remain with the respective awarding body.*

### SERVICES

## Courses

- Functional Skills Maths
- Functional Skills English

## Tutoring

- Functional Skills Maths & English Exam Tutoring

## EXAMS

- ➔ Functional Skills **Maths** Level 1 or 2 Exam **in London**
- ➔ Functional Skills **English** Level 1 or 2 Exam **in London**
- ➔ **Online** Functional Skills **Maths** Level 1 or 2 Exam
- ➔ **Online** Functional Skills **English** Level 1 or 2 Exam



[www.intechcentre.com](http://www.intechcentre.com)



362 Essex Road  
Islington N1 3PD



020 7354 5655

**BOOK YOUR FUNCTIONAL SKILLS EXAM NOW!**

# TQUK Functional Skills Qualification in Maths at Level 2

## Examination Past Paper 8

Please complete the details below using black or blue ink. Use **BLOCK CAPITALS**.

Learner Name: \_\_\_\_\_

Learner Number: \_\_\_\_\_

Date: \_\_\_\_\_

Centre Name: \_\_\_\_\_

### Instructions:

- read each question **carefully**
- answer **all** questions
- write your answers **clearly** in the spaces provided
- **check** your answers.

### Information:

- this examination has **two** sections. These are clearly labelled
- you are **not allowed** to use a calculator for Section A
- you **are allowed** to use a calculator for Section B
- the **maximum** mark for this examination is 60
- the marks available for each question are shown in **bold** beneath each question.

### Items:

- you **will need** a pen with black or blue ink, a pencil, a ruler and an eraser (for diagrams, graphs and charts only)
- you **will need** a basic calculator for Section B only
- you **will need** a protractor
- you **will not** need any other stationery or equipment.

### Time allowed:

**30 minutes** for Section A (Non-calculator)

**90 minutes** for Section B (Calculator)

**Do not open this examination paper until you are told to do so.**

### For examiner use only

	<b>Marks available</b>	<b>Marks awarded</b>	<b>Second marks</b>
Section A	15		
Section B	45		
Total marks	60		

**This page is intentionally left blank.**

Past Paper

## Section A: Non-calculator

There are **15 marks** available in this section.  
You must **not** use a calculator in this section.  
You will have **30 minutes** to complete this section.



1. Work out  $5.817 - 2.75$

--

Answer	
--------	--

[1]

2. Work out  $4 \times 3.145$

--

Answer	
--------	--

[1]

Questions continue on the following page

3. Convert 12 kilometres into miles.

*Use 1.6 kilometres = 1 mile*

--

<b>Answer</b>	
---------------	--

<b>Answer</b>	<b>miles</b>
---------------	--------------

[2]

4. There are 824 students at a school.

112 of them are in their final year.

One student is chosen at random.

What is the probability that this student is in their final year?

Give your answer as a fraction in its simplest form.

--

<b>Answer</b>	
---------------	--

[2]

5. Morgan is the manager of a concert arena.

The number of tickets sold in two years is shown:

<b>Year 1:</b>
784 693 tickets

<b>Year 2:</b>
523 154 tickets

Morgan thinks that the total number of tickets sold in these two years is more than 1 400 000

Is Morgan correct?

**Show how you decide.**

<b>Answer</b>	

[2]

**Questions continue on the following page**

6. Work out the original cost of this television:

<p style="text-align: center;"><b>Television</b></p> <p style="text-align: center;">20% off</p> <p style="text-align: center;">Now only £240</p>
--------------------------------------------------------------------------------------------------------------------------------------------------

--

<b>Answer</b>	£
---------------	---

[2]

7. Work out:

$$8\frac{1}{4} + 6\frac{1}{5}$$

Give your answer as a mixed number.

--

<b>Answer</b>	
---------------	--

[2]

8. Dua is going to make a gold bracelet using 50 cubic centimetres (cm<sup>3</sup>) of liquid gold.

Dua knows the density of gold is 19.3 g/cm<sup>3</sup>.

How many grams of gold will Dua need to make the bracelet?

Use: Density =  $\frac{\text{mass}}{\text{volume}}$

Past Paper	
<b>Answer</b>	<b>grams</b>

[3]

**End of Section A.**

**Section B begins on Page 7.**

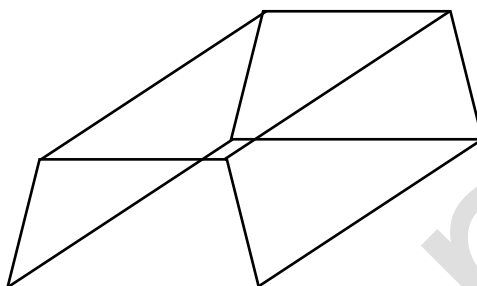
Past paper

## Section B: Calculator

There are **45 marks** available in this section.  
You **can** use a basic calculator in this section.  
You will have **90 minutes** to complete this section.



1. What is this shape?

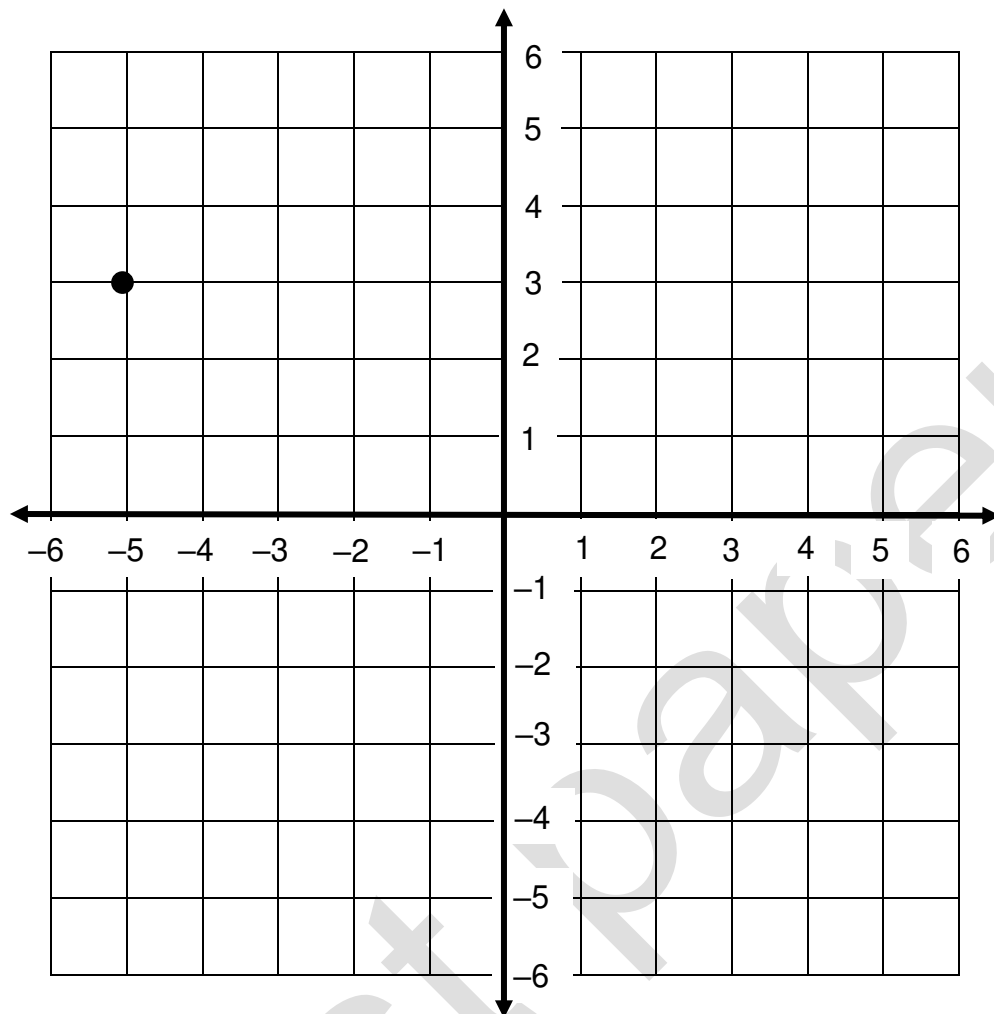


a) Pyramid	b) Trapezium
c) Cuboid	d) Prism
	Answer

[1]

Questions continue on the following page

2. Write down the coordinates of the point plotted on the grid.



<b>Answer</b>	(     ,     )
---------------	---------------

[1]

3. Zola wants a new sofa.

Zola can choose either a grey or blue sofa.

Both sofas have the same original price.

<b>Grey sofa</b> $\frac{1}{9}$ off	<b>Blue sofa</b> 12% off
---------------------------------------	-----------------------------

Which sofa has the bigger discount?

**Show how you decide.**

<b>Answer</b>	

[2]

**Questions continue on the following page**

4. Work out:

$$\frac{4^2 + 40 \div 2}{15 - 3 \times 4}$$

Show your working.

--

Answer	
--------	--

[2]

Past paper

5. A local farm sells milk in glass bottles for £0.80 per pint.  
The farm increases the price to £1.00 per pint.  
Work out the percentage increase in price.

--

<b>Answer</b>	<b>%</b>
---------------	----------

[2]

6. Tai needs their house painted within 10 days.  
It will take 3 painters 6 days to paint the house.  
Will 2 painters working at the same rate get the house painted within 10 days?  
**Show how you decide.**

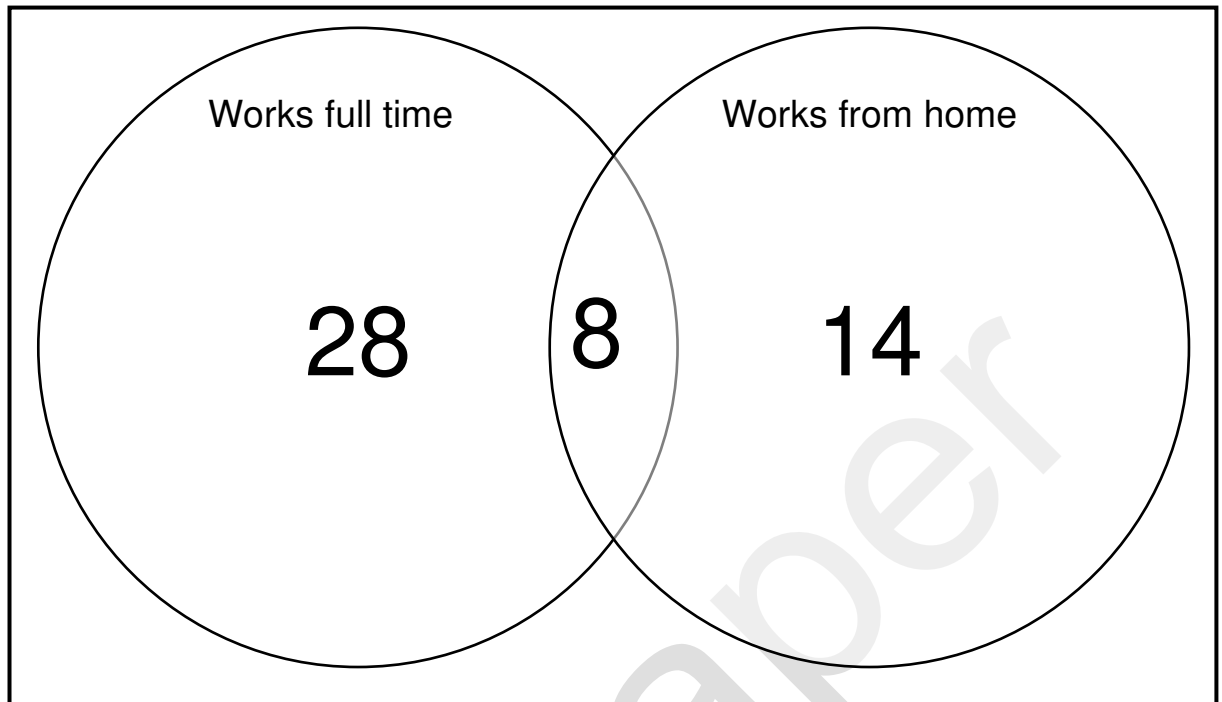
--

<b>Answer</b>	
---------------	--

[2]

**Questions continue on the following page**

7. The Venn diagram shows the working patterns of a group of employees.



One of these employees is chosen at random.

What is the probability that this employee works full time?

Give your answer as a decimal **and** a percentage.

Answer area for the question.

**Answer**

a) Decimal:

b) Percentage:

**[3]**

8. Harper walks 15 kilometres in 200 minutes.  
Harper thinks this is 4.2 kilometres per hour (kph).  
Is Harper correct?

**Show how you decide.**

--

**Answer**

**kph**

**[3]**

**Questions continue on the following page**

9. Charu needs to estimate the curved surface area of a hemisphere.

Charu knows:

- the radius of the hemisphere is 9 cm
- $\pi = 3.14159$

Charu rounds  $\pi$  to the nearest whole number to estimate the curved surface area.

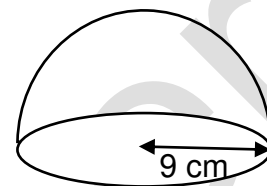
What answer should Charu get?

Use:

$$A = \frac{4\pi r^2}{2}$$

Where:

$A$  = curved surface area of sphere  
 $r$  = radius of hemisphere



Not drawn to scale

Show your working.

Past paper	
<b>Answer</b>	<b>cm<sup>2</sup></b>

[3]

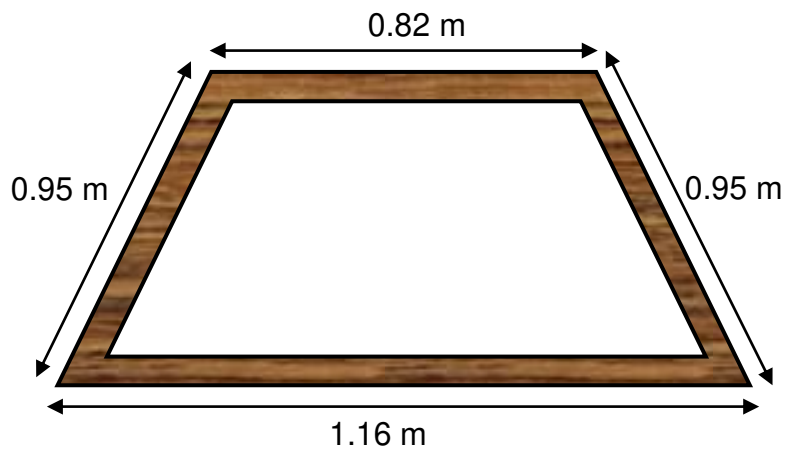
- 10.** Drew needs to order 200 paper cups for a party.  
Drew needs small, medium and large cups in the ratio 14 : 4 : 2  
Drew thinks there will be 108 more small cups than large cups.  
Is Drew correct?  
**Show how you decide.**

Past Paper	
<b>Answer</b>	

**[3]**

**Questions continue on the following page**

11. Kai wants to make a wooden picture frame with the dimensions shown below:



Kai wants to buy 14% more wood than needed to allow for any mistakes.

Kai buys 4.5 metres of wood.

Has Kai bought enough wood?

**Show your working.**

Answer

[4]

12. Billie owns a café. Deepal is the café manager.

The table shows how many customers the café had over two weeks.

	Monday	Tuesday	Wednesday	Thursday	Friday
Week 1	22	38	46	30	44
Week 2	23	40	45	42	20

Deepal thinks that on average there were more customers per day on week 1.

Billie disagrees.

Show how **both** could be correct.

**Show your working.**

<b>Give reason here:</b>

[4]

Questions continue on the following page

**13.** Ashley wants to buy a motorbike for £9750

Ashley paid £5000 into a new savings account two years ago.

The savings account paid 4% compound interest per year.

Ashley will use all the money in the savings account as a deposit towards the motorbike.

The rest will be paid in 40 equal monthly payments.

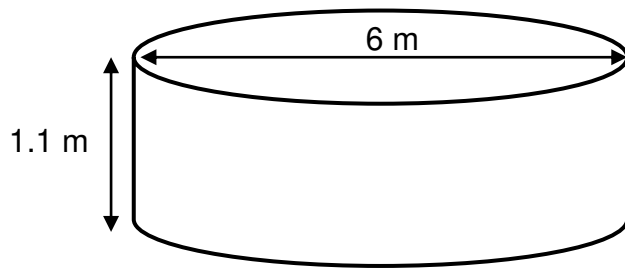
How much will each monthly payment be?

Answer area with a large watermark reading "Past paper".

<b>Answer</b>	£
---------------	---

**[4]**

14. Taylor has a fishpond in the shape of a cylinder.



Not drawn to scale

Taylor uses this formula to work out how many fish can be put into the pond.

$$\text{Maximum number of fish} = \frac{\text{volume (in m}^3\text{) of pond multiplied by 220}}{1000}$$

What is the maximum number of fish Taylor can put in the pond?

Use  $\pi = 3.14$

Area for student answer.

Answer

fish

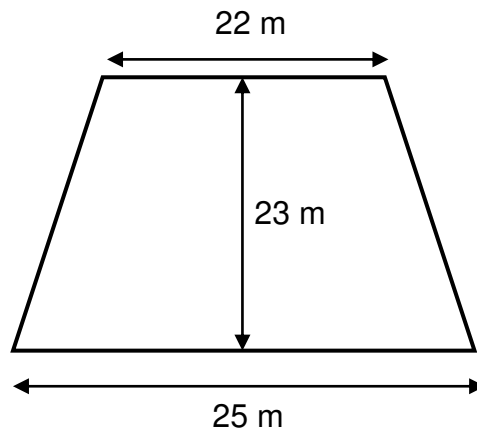
[5]

Questions continue on the following page

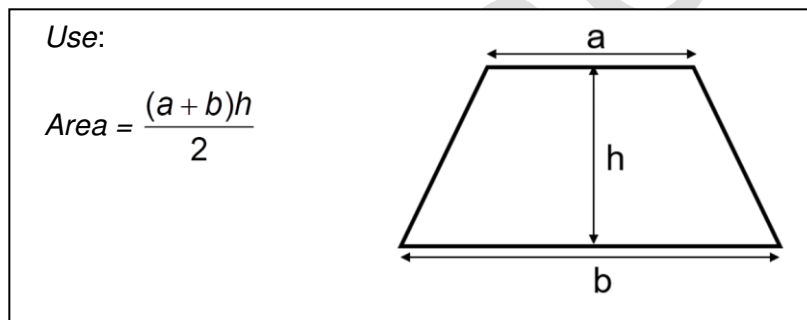
15. Amory has turned a barn into an event venue.

Amory wants to estimate how much money the venue can be rented out for.

The floor plan of the venue is shown below:



Not drawn to scale



Amory estimates that one person will require  $2.6 \text{ m}^2$  of floor space.

Amory finds these prices other local venues charge.

Venue	A	B	C	D	E
Price per person	£20	£35	£45	£30	£50

Amory will charge the median price.

What is the maximum amount of money Amory can expect to make?

**Show your working.**

**Answer box is on the following page**



<b>Answer</b>	<b>£</b>
---------------	----------

**[6]**

Past paper

**This is the end of the assessment.**

Past paper



# Book Your Functional Skills Exam Now!

Intech Centre is a leading training, careers and examination centre based in Islington, London, delivering Functional Skills Maths and English courses and exams for over 26 years.



**Book Now!**



## Book Your Exams & Courses

Qualification	Private Course	Online Exam	Exam in London
Functional Skills Maths Level 1 & 2	<a href="#">Enrol on Course</a>	<a href="#">Book Online Exam</a>	<a href="#">Book London Exam</a>
Functional Skills English Level 1 & 2	<a href="#">Enrol on Course</a>	<a href="#">Book Online Exam</a>	<a href="#">Book London Exam</a>

## Why Intech Centre?

- Over **26 years' experience** as a UK training and exam centre in London.
- **City & Guilds Functional Skills Maths and English exams**, Ofqual regulated and nationally recognised.
- Flexible **online learning** with 24/7 access plus online or centre-based exam options.
- Ideal if you still need GCSE Maths or English equivalent for university entry, teacher training, apprenticeships or employment.

CALL US FOR MORE INFORMATION:



**020 7354 5655**



**www.intechcentre.com**



**info@intechcentre.com**