



FUNCTIONAL SKILLS MATHS & ENGLISH

LEVEL 1 & 2 EXAMS

WHO WE ARE

Leading training company for 26 years

Intech Centre is an established training provider based in Islington, London, with over 26 years of experience in delivering education, employability and digital skills programmes.

Intech Centre specialises in **Functional Skills English and Maths Level 1 & 2**, helping learners successfully pass Level 1 and Level 2 Functional Skills exams required for university entry, apprenticeships, teacher training, nursing courses and many other professional pathways.

Thousands of learners have used our resources, courses and exam services to achieve nationally recognised qualifications.

[BOOK NOW](#)[LEARN MORE](#)

** The materials in this document are the intellectual property of the relevant awarding organisation and are shared for educational and revision purposes only. Intech Centre does not claim ownership of these materials and all rights remain with the respective awarding body.*

SERVICES

Courses

- Functional Skills Maths
- Functional Skills English

Tutoring

- Functional Skills Maths & English Exam Tutoring

EXAMS

- ➔ Functional Skills **Maths** Level 1 or 2 Exam **in London**
- ➔ Functional Skills **English** Level 1 or 2 Exam **in London**
- ➔ **Online** Functional Skills **Maths** Level 1 or 2 Exam
- ➔ **Online** Functional Skills **English** Level 1 or 2 Exam



www.intechcentre.com



362 Essex Road
Islington N1 3PD



020 7354 5655

BOOK YOUR FUNCTIONAL SKILLS EXAM NOW!

TQUK Functional Skills Qualification in Maths at Level 2

Examination Paper (Sample Assessment Paper 2)

Please complete the details below using black or blue ink. Use **BLOCK CAPITALS**.

Learner Name: _____

Learner Number: _____

Date: _____

Centre Name: _____

Instructions:

- Read each question **carefully**
- Answer **all** questions
- Write your answers **clearly** in the spaces provided
- **Check** your answers.

Information:

- This examination has **two** sections. These are clearly labelled
- You are **not allowed** to use a calculator for Section A
- You **are allowed** to use a calculator for Section B
- The **maximum** mark for this examination is 60
- The marks available for each question are shown in **bold** beneath each question.

Items:

- You **will need** a pen with black or blue ink, a pencil, a ruler and an eraser (for diagrams, graphs and charts only)
- You **will need** a basic calculator for Section B only
- You **will not** need any other stationery or equipment.

Time allowed:

30 minutes for Section A (Non-calculator)

90 minutes for Section B (Calculator)

Do not open this examination paper until you are told to do so.

For examiner use only

	Marks available	Marks awarded	Second marks
Section A	15		
Section B	45		
Total marks	60		

This page is intentionally left blank.

SAMPLE

Section A: Non-calculator

There are **15 marks** available in this section.
You must **not** use a calculator in this section.
You will have **30 minutes** to complete this section.



1. Work out $0.872 + 0.15$

--

Answer	
--------	--

[1]

2. Work out 2.205×4

--

Answer	
--------	--

[1]

Questions continue on the following page

3. A cyclist cycles 3 miles in 10 minutes.

What is the cyclist's average speed in miles per hour (mph)?

--

Answer

mph

[2]

4. Write 0.86:

(a) as a fraction

(b) as a percentage.

--

Answer	(a) Fraction:
---------------	----------------------

(b) Percentage:

[2]

5. Jordan goes out for lunch.

The bill comes to £20

Jordan wants to leave extra money as a tip.

The extra money is 18% more than the bill.

What is the total amount that Jordan will pay?

Answer	£

[2]

Questions continue on the following page

6. Work out the median of these numbers:

5000 3000 2500 4250 5500 6600

--

Answer	
---------------	--

[2]

SAMPLE

7. A map has a scale of 1 : 50 000

A school and a supermarket are 2.5 centimetres (cm) apart on the map.

How far apart are the school and supermarket in real life?

Give the units in your answer.

SAMPLE

Answer	
--------	--

[2]

Questions continue on the following page

8. A company gives its staff 6 pizzas to share.

Each pizza is cut into 8 slices.

On the first day, the staff eat 3 whole pizzas and 5 additional slices.

On the next day, they eat another 10 slices of pizza.

How much pizza is left after the second day?

Give your answer as a mixed number.

SAMPLE

Answer	
---------------	--

[3]

End of Section A.

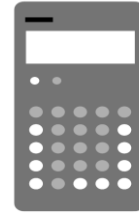
SAMPLE

SAMPLE

Section B begins on Page 8.

Section B: Calculator

There are **45 marks** available in this section.
 You **can** use a basic calculator in this section.
 You will have **90 minutes** to complete this section.



1. Put these numbers in order starting with the lowest:

–865 –811 –820 –814

Show any working here:

Answer				
	Lowest			Highest

[1]

2. There are 2.54 centimetres (cm) in 1 inch.
 How many inches are there in 127 cm?

Answer	

[1]

Questions continue on the following page

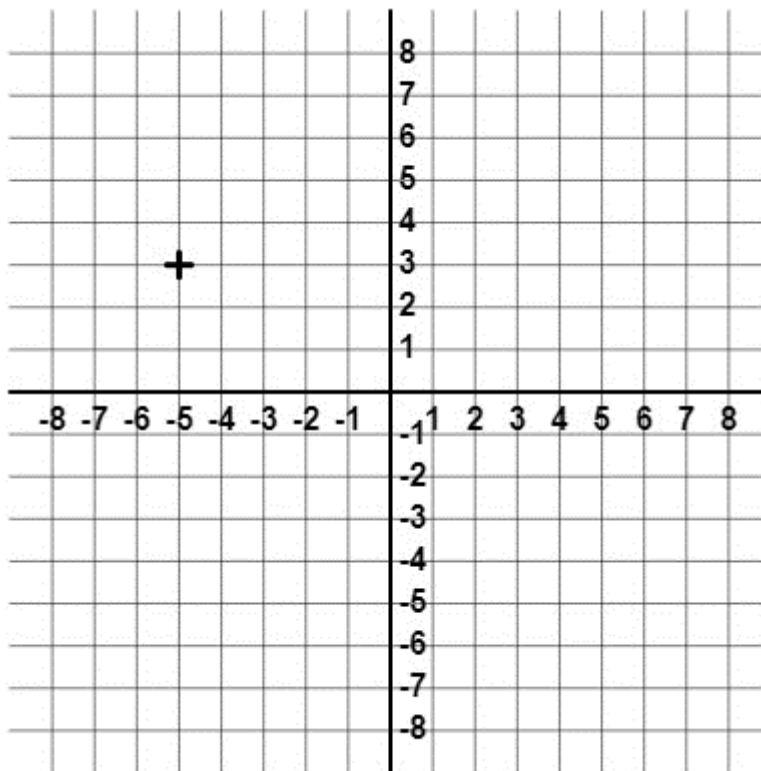
3. Calculate $12^2 - 3 \times 2.1$

--

Answer	
---------------	--

[1]

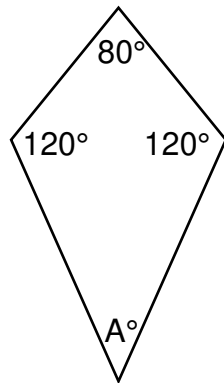
4. Write down the coordinates of the point labelled on the grid.



Answer	(,)
---------------	-----------

[1]

5. Work out the value of angle A.



Not drawn to scale

Answer	°

[2]

Questions continue on the following page

6. A garden has a circular flowerbed in the centre.

The diameter of the flowerbed is 1.38 metres (m).

Children make fairy lights to go all around the edge of the flowerbed.

The total length of the fairy lights is 4.5 metres (m).

Are the fairy lights long enough to decorate all around the edge of the flowerbed?

Show how you decide.

Use $\pi = 3.14$

--

Answer	
---------------	--

[3]

7. Charlie recently used 14 litres of paint to decorate the living room walls.

The total area painted was 91 m^2

Charlie now wants to paint the bedroom walls.

The total area to be painted is 78 m^2

Charlie has 11 litres of paint.

Does Charlie have enough paint?

Show how you decide.

SAMPLE	
Answer	

[3]

Questions continue on the following page

8. Morgan is planning a holiday and finds this information:

Greenland Average temperature 14° Fahrenheit (°F)

Iceland Average temperature –11° Celsius (°C)

Morgan wants to go to the warmer country.

Which country should Morgan go to?

Show how you decide.

$$\text{Use: } C = \frac{5(F - 32)}{9}$$

Where: C = temperature in degrees Celsius
F = temperature in degree Fahrenheit

Answer	

[3]

9. This year, Jo's gym membership price has increased by 5%.

The new monthly price is £33.60

How much did Jo pay for an entire year's membership last year?

--

Answer	£
--------	---

[3]

SAMPLE

Questions continue on the following page

10. An athletics club awards points each year to its members.

In 2021, the club awarded its members a mean of 90.3 points in the year.

The grouped frequency table shows the points the club awarded its members in 2022:

Number of points awarded	Frequency
$0 \leq \text{points} < 40$	7
$40 \leq \text{points} < 80$	34
$80 \leq \text{points} < 120$	100
$120 \leq \text{points} < 160$	9
Total	150

The club president says:

'The mean number of points per member in 2022 has increased since 2021'

Is the president correct?

Show how you decide.

SAMPLE

Answer

[4]

11. Hayden is organising activities for 80 students going on a school trip.

The ratio of the number of students who can participate in swimming, rock climbing and go karting is 5 : 3 : 2

Complete the activity list for Hayden.

Activity	Number of Students
Swimming	
Rock climbing	
Go karting	
Total	

Show any workings here:

[4]

Questions continue on the following page

12. Harper is a manager of a company.

Last year the company made a profit of nine hundred and seventy-five thousand and fifty pounds.

This year Harper wants to increase the profit by 3.5%.

Harper thinks the new profit will be more than £1 010 000

Is Harper correct?

Show how you decide.

SAMPLE

Answer	
---------------	--

[4]

13. A delivery driver keeps a record of the number of miles per gallon (mpg) their car achieves each day.

These are the results for week 2:

Monday	Tuesday	Wednesday	Thursday	Friday	Saturday	Sunday
30	38	22	37	40	32	39

This is a summary of the results for week 1:

Week 1	
Mean mpg	32
Range	16

The delivery driver claims:

- a) *'on average, the car achieved more miles per gallon in week 2 than in week 1'*
 b) *'the miles per gallon achieved in week 2 were more consistent than in week 1.'*

Are **each** of the driver's claims correct?

Give reasons for your answers.

Show your working.

Show any workings here:

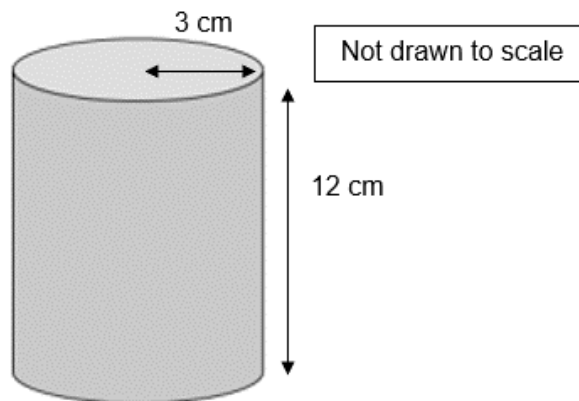
Comment regarding claim a)

Comment regarding claim b)

[4]

Questions continue on the following page

14. A nursery asks Cameron to make 50 cylinder-shaped toy blocks using this design:



When the blocks are made, Cameron needs to paint them using glow-in-the-dark paint.

Each tin has enough paint to cover 1150 square centimetres (cm^2).

How many tins of paint will Cameron need to buy to paint all 50 toy blocks?

Use $\pi = 3.14$

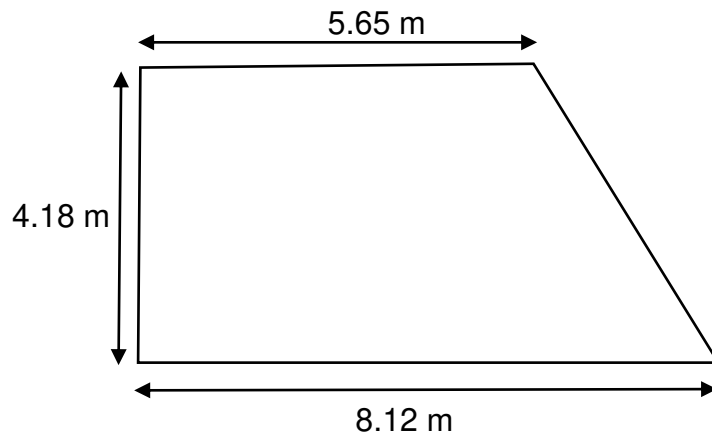
SAMPLE

Answer

tins

[5]

15. A family wants to cover this garden with grass.



Not drawn to scale

They will buy grass as turf in square metres (m^2).

The family finds these prices online:

Cost per square metre (m^2)					
Must buy a whole number of square metres					
£5.00	£3.80	£4.50	£5.00	£4.25	£6.00

The family wants to pay the same amount as the modal cost.

How much will it cost to cover the entire garden in turf?

Show your working.

SAMPLE

Answer £

[6]

This is the end of the assessment.



Book Your Functional Skills Exam Now!

Intech Centre is a leading training, careers and examination centre based in Islington, London, delivering Functional Skills Maths and English courses and exams for over 26 years.



Book Now!



Book Your Exams & Courses

Qualification	Private Course	Online Exam	Exam in London
Functional Skills Maths Level 1 & 2	Enrol on Course	Book Online Exam	Book London Exam
Functional Skills English Level 1 & 2	Enrol on Course	Book Online Exam	Book London Exam

Why Intech Centre?

- Over **26 years' experience** as a UK training and exam centre in London.
- **City & Guilds Functional Skills Maths** and **English exams**, Ofqual regulated and nationally recognised.
- Flexible **online learning** with 24/7 access plus online or centre-based exam options.
- Ideal if you still need GCSE Maths or English equivalent for university entry, teacher training, apprenticeships or employment.

CALL US FOR MORE INFORMATION:



020 7354 5655



www.intechcentre.com



info@intechcentre.com